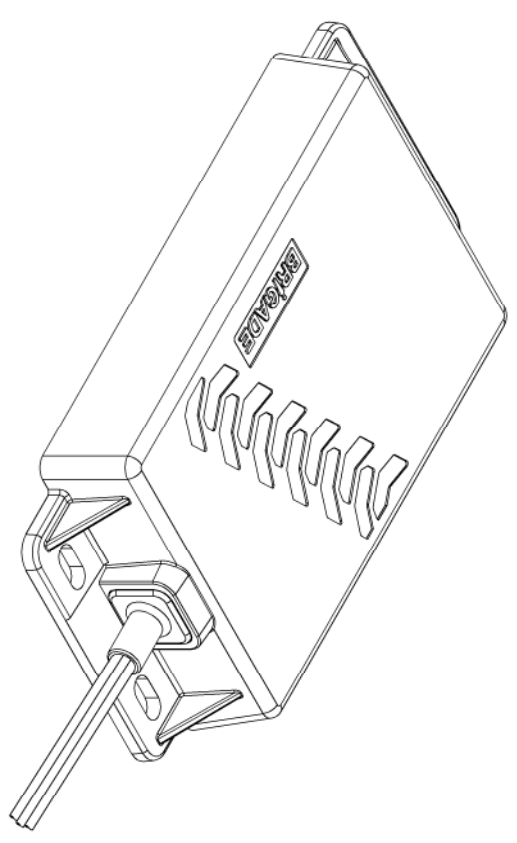
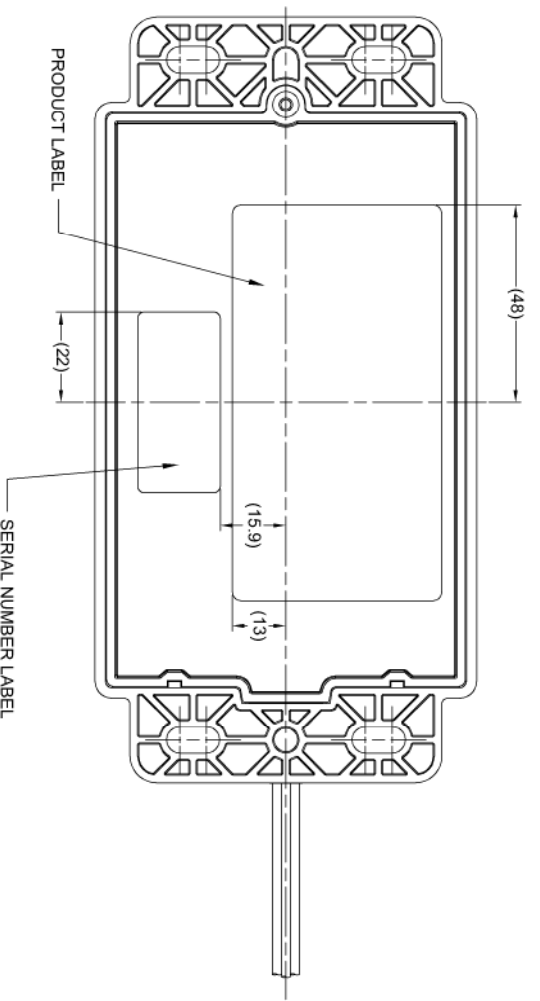
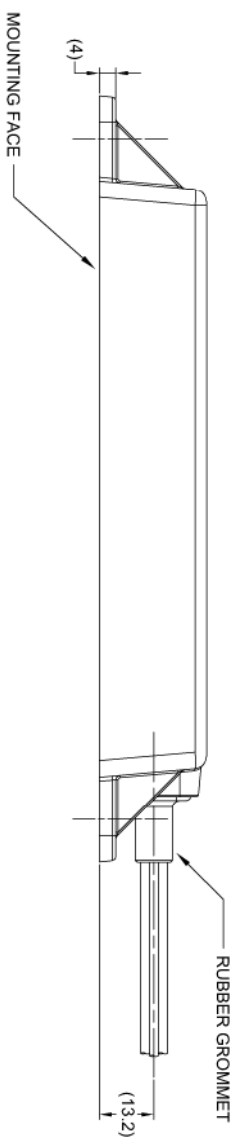
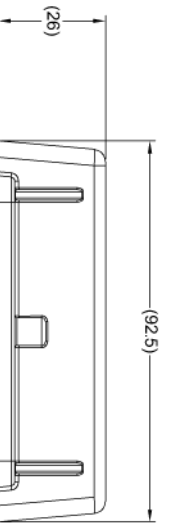
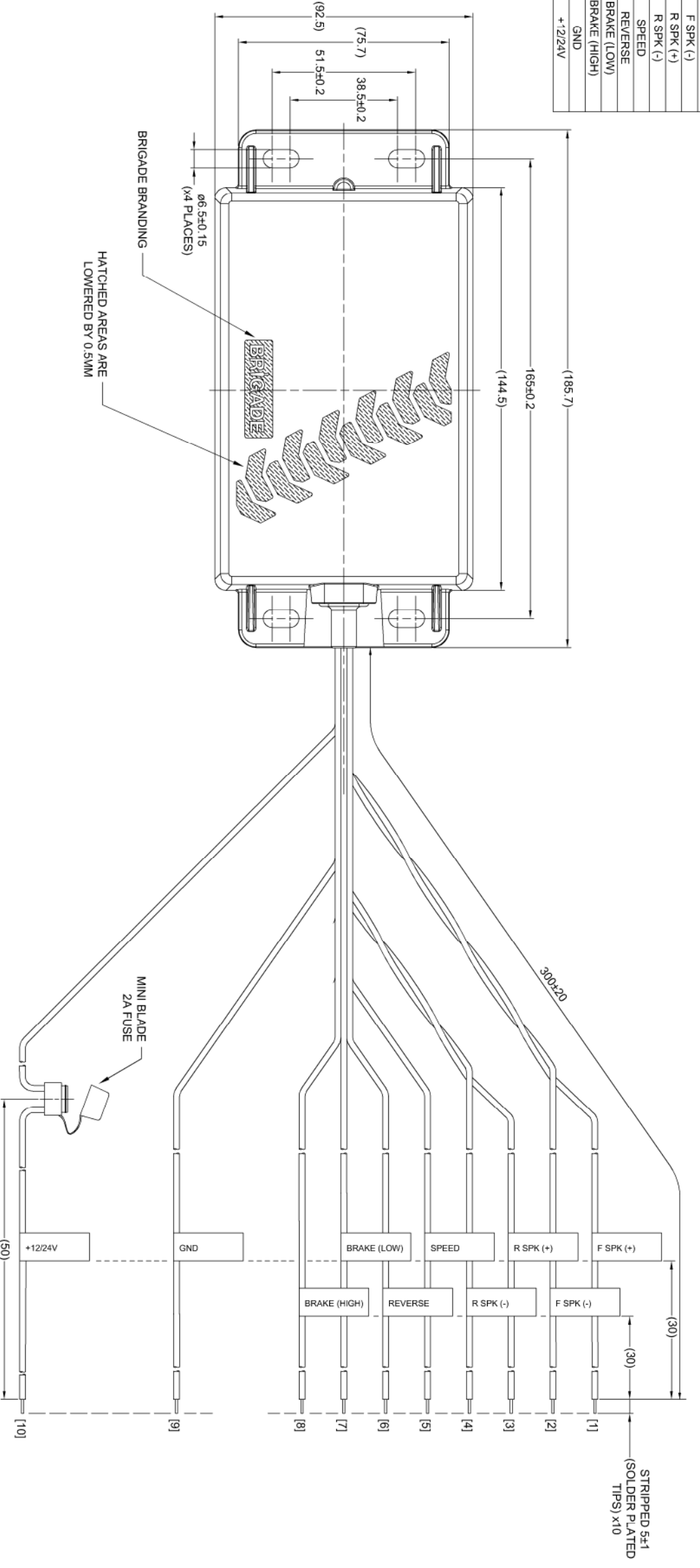


CABLE #	WIRE GAUGE	FUNCTION	CABLE COLOUR	CABLE LABEL PRINTING
[1]		FRONT SPEAKER +VE	BROWN	F SPK (+)
[2]		FRONT SPEAKER -VE	PINK	F SPK (-)
[3]		REAR SPEAKER +VE	GREEN	R SPK (+)
[4]		REAR SPEAKER -VE	BLUE	R SPK (-)
[5]		SPEED	WHITE/BLUE	SPEED
[6]	STRANDED AWG 20	REVERSE	GREY	REVERSE
[7]		PARKING BRAKE (LOW)	VIOLET	BRAKE (LOW)
[8]		PARKING BRAKE (HIGH)	WHITE	BRAKE (HIGH)
[9]		GND	BLACK	GND
[10]		POWER	RED	+12/24V



- LABEL SPECIFICATIONS**
1. ALL LABELS SHOULD BE WHITE/SILVER.
 2. ALL INK SHOULD BE BLACK.
 3. ALL TEXT PRINTED SHOULD BE 3MM.
 4. ALL CABLE LABELS TO HAVE DESCRIPTIVE TEXT ON BOTH SIDES.

- NOTES:**
1. HOUSING FINISH: MATT BLACK.
 2. HOUSING MATERIAL: ABS PLASTIC.
 3. REFERENCE INSTRUCTION GUIDE FOR FUNCTIONALITY.
 4. FOR PRODUCT LABELING AND PACKAGING DETAIL REFER TO THE LATEST VERSION OF THE MASTER BOM.
 5. ANY CUSTOMER MODIFICATION OF THIS PRODUCT CAUSING SUBSEQUENT FAILURE IS NOT A LIABILITY OF BRIGADE ELECTRONICS GROUP PLC.
 6. FUSE HOLDER APPEARANCE MAY CHANGE ALTHOUGH FUNCTION AND RATING MUST REMAIN THE SAME.
 7. THE FOLLOWING SOFTWARE IS TO BE PRE-LOADED DURING MANUFACTURE:
 SW-QV901-PI-C1202-00-HEX
 SW-QV501-PI-C1602-00-HEX
 SW-QV501-PI-C1802-00-HEX

PROPRIETARY NOTICE
 THIS DESIGN AND TECHNICAL INFORMATION APPEARING ON THIS DRAWING IS THE PROPERTY OF BRIGADE ELECTRONICS, AND IS DISCLOSED IN CONFIDENCE. IT IS NOT TO BE COPIED, REPRODUCED, REVEALED TO OR EXPLOITED BY OTHERS, EITHER IN WHOLE OR IN PART WITHOUT THE EXPRESS WRITTEN CONSENT OF BRIGADE ELECTRONICS.

Revision Notes		Drawn:-	Checked:-	Approved:-	Date:-
R1 -					

BRIGADE®

Assembly Pt Approval K.IRELAND	Approved by B.R.JOHN	Checked by C.WALKER	Drawn by J.STEWART
Angle of Projection Third Angle	Units mm	Scale N/A	Released 08/03/19
Status RELEASED	QVS-000-ECU		
Part No 5387	BE-003909-00-18		